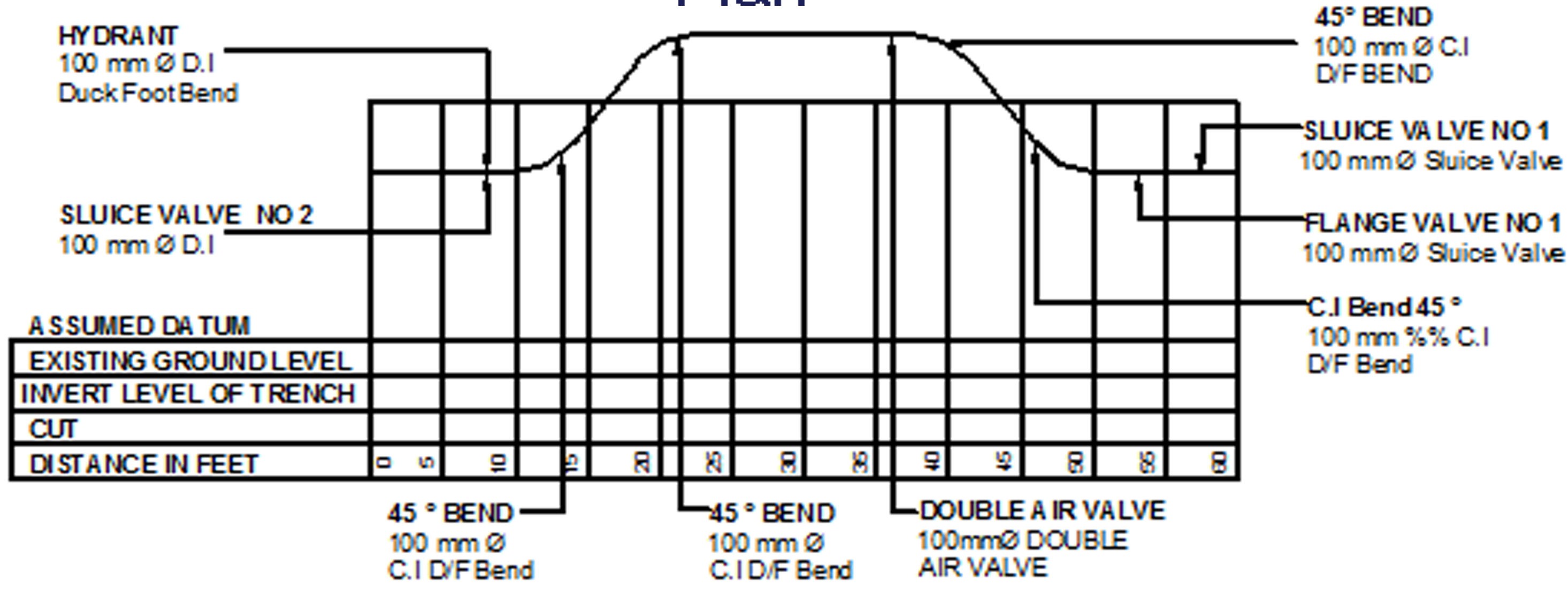
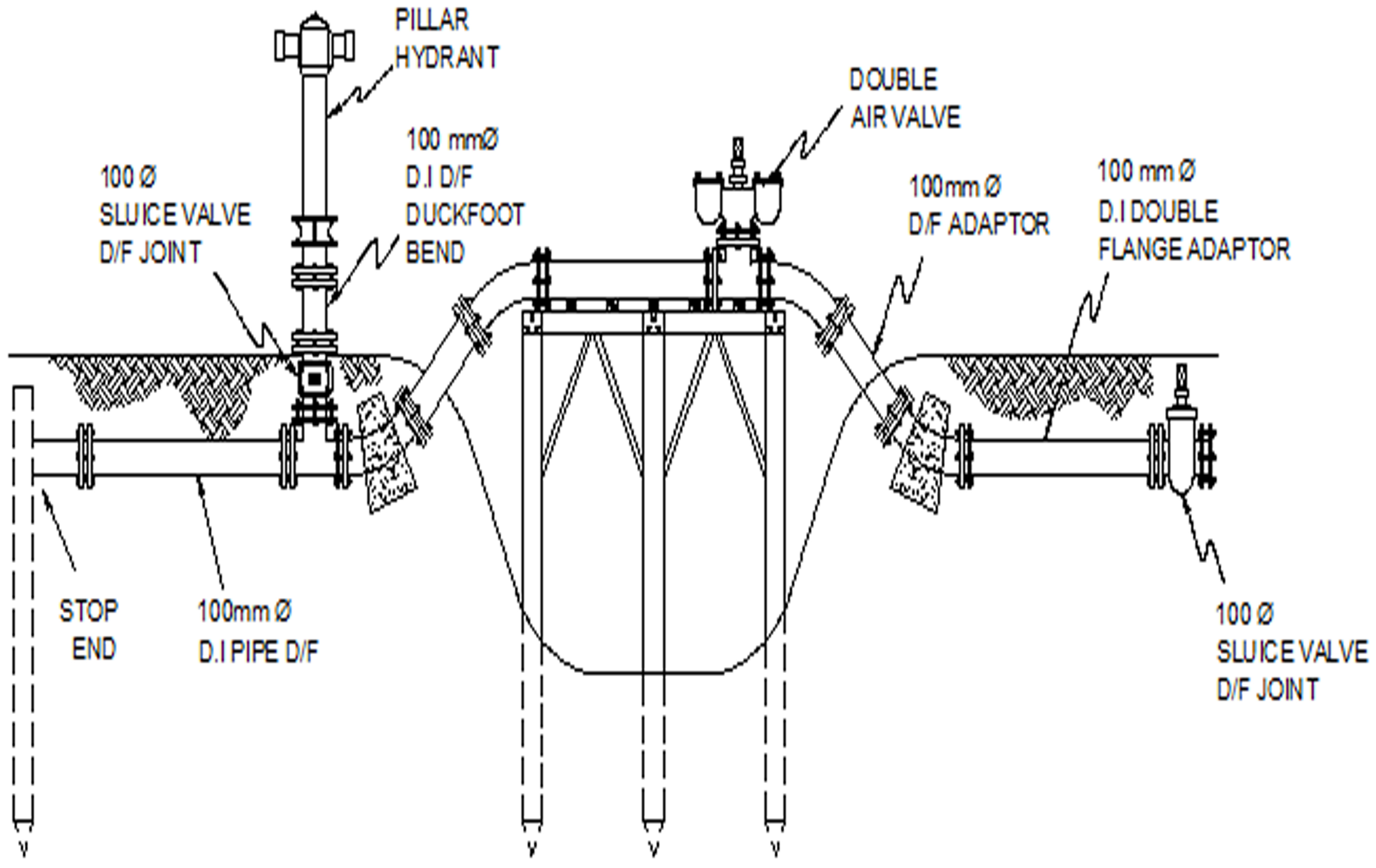


Plan



Detail Side Elevation



Side Elevation